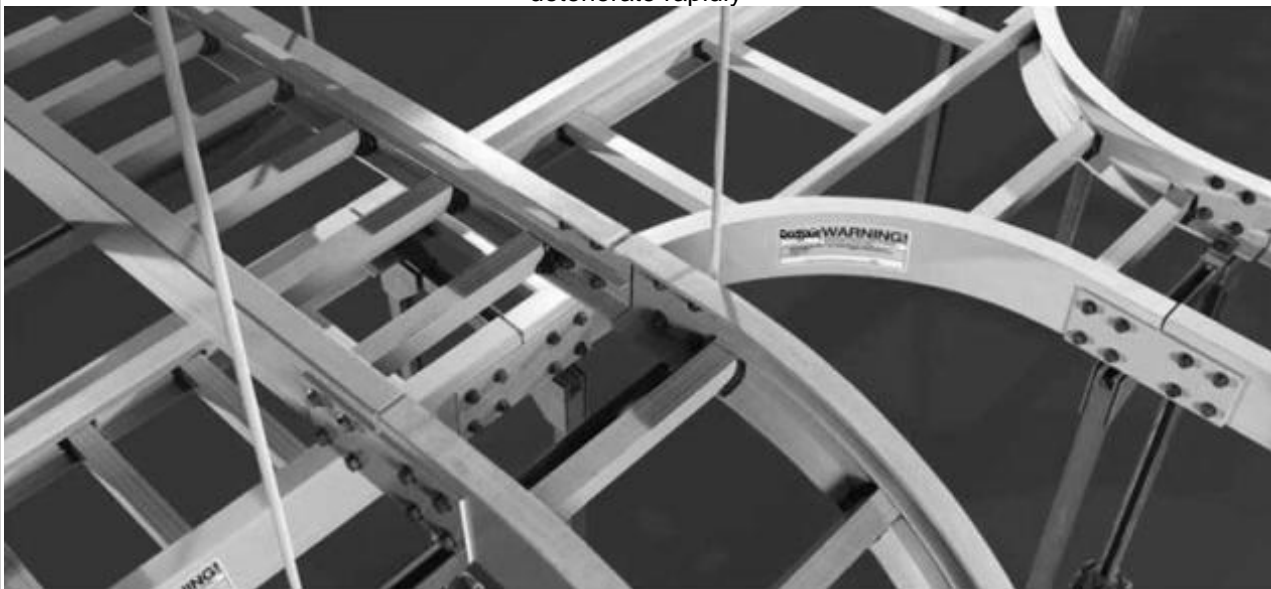


CABLE TRAY

Fibreglass Reinforced Polymers

Combining unmatched corrosion resistance with strength, long life and safety, **Dudhani Poly** Composite Structures, sets the standard for fiberglass reinforced polymer (FRP) molded products. With more than ten custom resins, **Dudhani Poly** products are proven to deliver years of reliable service, even in the most demanding corrosive conditions. Conditions which cause conventional metallic and wood products to deteriorate rapidly

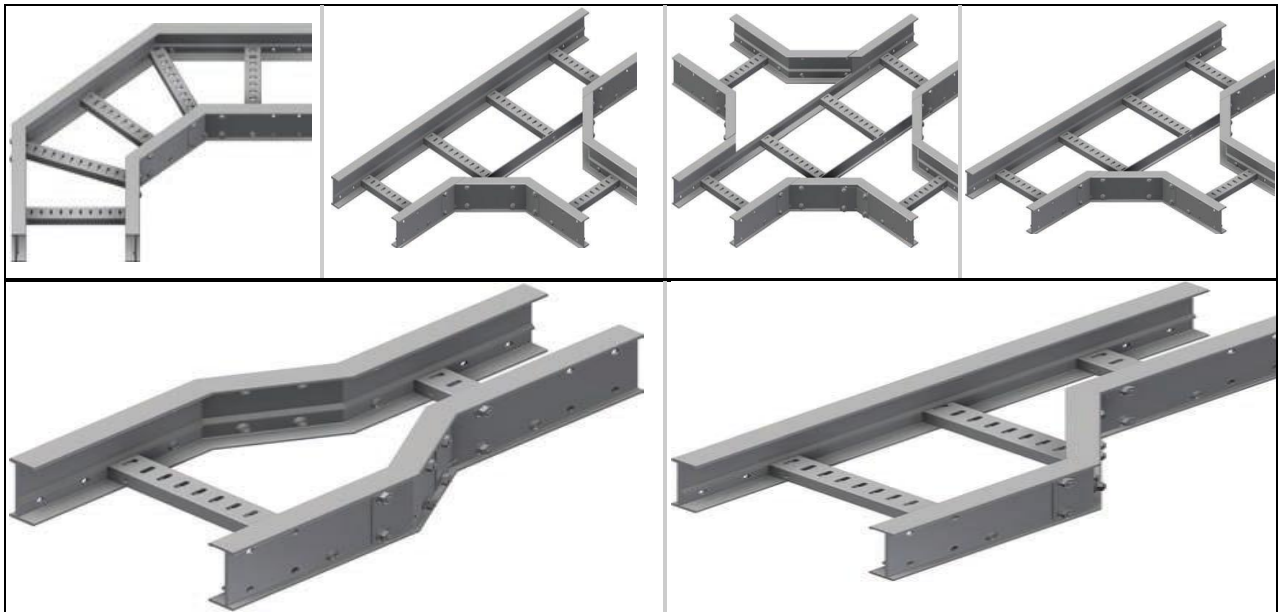


Dudhani Poly offers a broad range of cable support systems for all applications, e.g. Cable Ladders, Cable Trays, Junction Box Racks, Tubing Clamps, Cable Cleats, and Heating Cables. Above mentioned are as per *NEMA – FG2* guide lines

Cable Tray Application

- | | |
|---|---|
| <ul style="list-style-type: none"> • Industrial • Marine • Mining • Chemical • Oil & Gas • EMI / RFI Testing • Pollution Control • Electrical • Radar • Building Construction | <ul style="list-style-type: none"> • Metal Finishing • Power Plants • Pulp & Paper • Offshore • Recreation • Building Construction • Water / Wastewater • Transportation • Plating |
|---|---|

Build Your Own Cable Tray



Cable Tray Temperature Chart

It is important that thermal contraction and expansion be considered when installing cable tray systems. The length of the straight cable tray runs and the temperature differential govern the number of expansion splice plates required.

Accurate gap setting at the time of installation is necessary for the proper operation of the expansion splice plates. The following procedure should assist the installer in determining the correct gap.

- Plot the highest expected tray temperature on the maximum temperature line
- Plot the lowest expected tray temperature on the minimum temperature
- Draw a line between the maximum and minimum points
- Plot the tray temperature at the time of installation to determine the gap setting

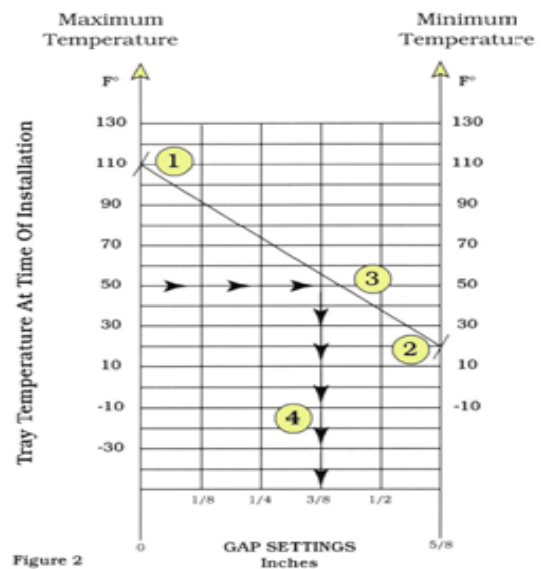


Figure 2

Advantages



Corrosion Resistant: Pultruded fiberglass products are known for their ability to provide corrosion resistance in the harsh environments and chemical exposures.



Electrically & Thermally Non Conductive: Fiberglass is electrically non conductive for safety and has low thermal conductivity which results in a more comfortable product when physical contact occurs.

	Low Maintenance: The corrosion resistant properties reduce or eliminate the need for sandblasting, scraping and painting. Products are also easily cleaned with a high pressure washer		Fire Retardant: Most products are engineered to have a flame spread rating of 25 or less, as tested in accordance with ASTM E-84, and meet the self-extinguishing requirements of ASTM D-635
	High Strength to Weight Ratio: Less than one-half the weight of steel grating, allowing easy removal for access below floor level and installation with no heavy equipment and less manpower		Long Service Life: Fiberglass products provide outstanding durability and corrosion resistance in demanding applications, therefore providing improved product life over traditional materials
	Impact Resistant: Dudhani Poly molded products show superior impact resistance when compared to steel gratings		Low Install Cost: Due to ease of fabrication and light weight, eliminates the need for heavy lifting equipment

Our comprehensive range of products, MS HDPE | MS PP Pipes | Chemical Storage Tanks HDPE Spiral, FRP | Composite products, FRP – Re-bars | Molded Gratings | FRP Staircase & Ladders | FRP Cable Tray | Level Indicators (SS, PP, HDPE & MS) | Pipes & Fittings and many other thermo plastic as per your drawing.

FOR FREE SAMPLES AND TECHNICAL DETAILS, PLEASE FEEL FREE TO CALL: 98663 21027



Dudhani Poly - Extrusions Pvt Ltd

Factory Address:

Plot No. 13, Sy No. 172, IDA Bollaram, Jinnaram Mandal, Medak Dist, Telangana - 502 325

Office Address:

Plot No. 20, Krishna Reddy Colony, New Bowenpally, Secunderabad, Telangana – 500 011
Phone No: 040-2775 8010 / 2775 9020 / 7207048010

To no longer receive click [Unsubscribe](#)